



Cable Plug Form B Industrial standard

- Also available with LED indicator
- Protection class IP 65
- Contact form 11 mm

Plug for the connection of electrical components Form B Industrial standard.

Technical data	
Body material	Polyamide (without LED; black, with LED; transparent)
Contact material	Brass, galvanised silver-plated
Flat seal	NBR
Temperature range	-40 to +90 °C
Cable diameter	4,5 - 7 mm
Cable outlet	Straight
Functional display	LED, colour red
Nominal voltage	0 to 250 V
Contact resistance	≤ 4 mΩ
Electrical connection	Terminal screws max. 0,75 mm ² with circuitry (max. 1,5 mm ² without circuitry)
Protection class	IP 65
Number of terminals	2 pins + protective earth
Cable glands	PG9
Approvals	UR, VDE

Ordering chart

The delivery of a cable plug includes the flat seal and the fixing screw (thick-film passivated).

None (standard)

	Voltage	Current rating	Item no. with-out cable
	0 to 250 V/AC/DC	max. 6 A	423 845

with LED

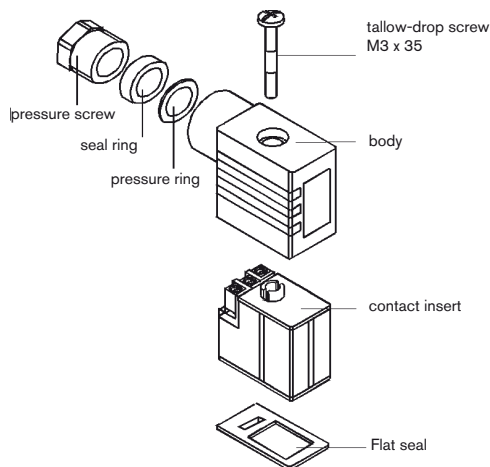
	Voltage	Current rating	Item no. without cable
	24 V/AC/DC	max. 6 A	423 849
	250 V/AC/DC	max. 6 A	423 850

with LED and freewheeling diode

	Voltage	Current rating	Item no. with-out cable
	24 V/DC	max. 1,5 A	423 851

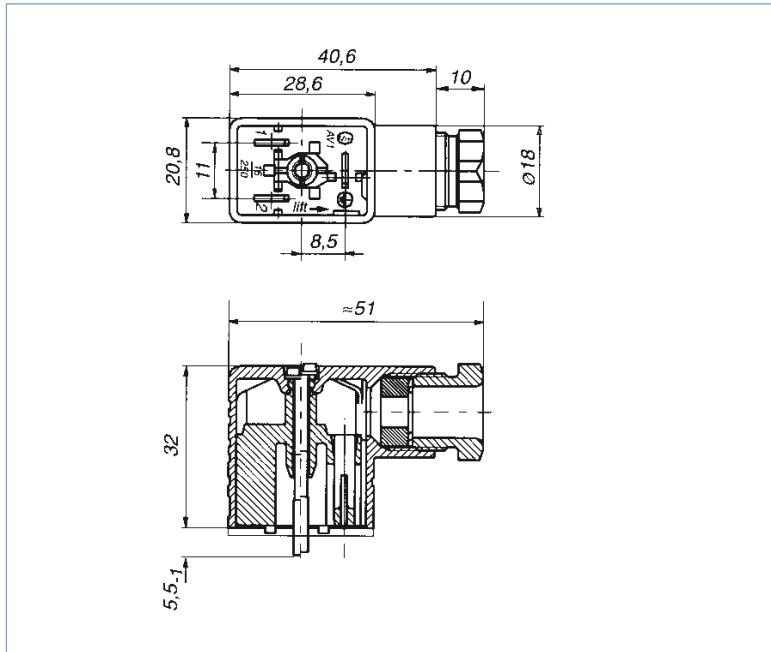
Mounting instructions

The cable plug can be installed in a 180° rotation.



- remove contact insert
- insert cable through pressure screw
- wire cable according to connection plan
- snap in contact insert
- screw-on union nut
- push gasket on tag connectors
- push cable plug firmly onto tags
- secure with tallow-drop screw M3 x 30

Dimensions [mm]



To find your nearest Bürkert facility, click on the orange box →

www.burkert.com